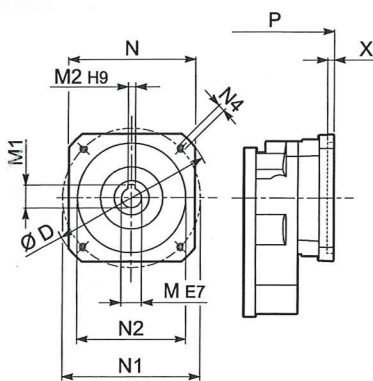
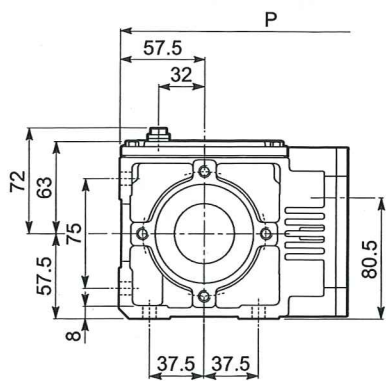
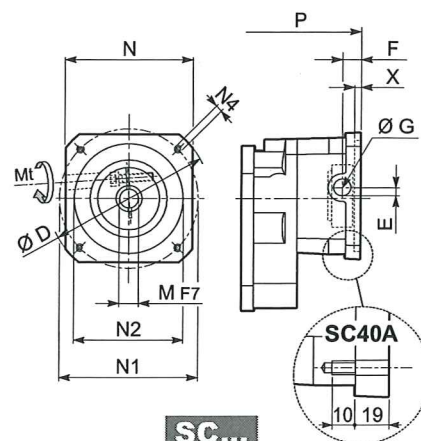


A 05...SK / SC



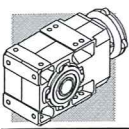
SK...



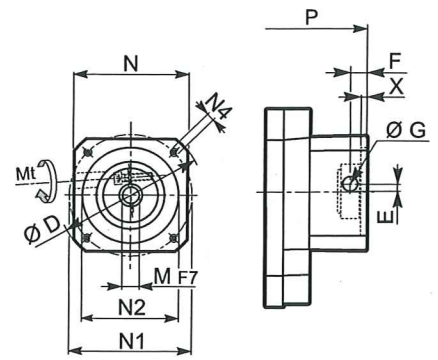
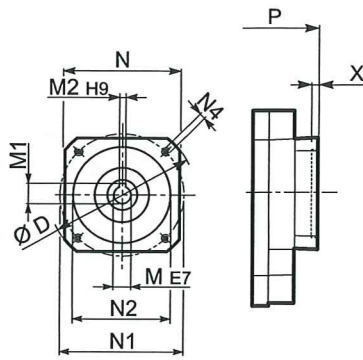
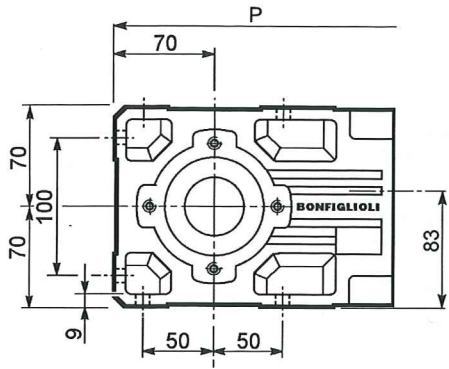
SC...

		D	M	M1	M2	N	N1	N2	N4	X	P	
A 05 2	SK40A	74	9	10.4	3	55	63	40	M5x10	3	207.5	5
A 05 2	SK60A	102	11	12.8	4	82	75	60	M5x10	3.5	206	5
A 05 2	SK60B	102	14	16.3	5	82	75	60	M5x10	4	213	5
A 05 2	SK80A	115	14	16.3	5	90	100	80	M6x12	4	213	5

			Mt	D	E	F	G	M	N	N1	N2	N4	X	P	
A 05 2	SC40A	M5	15 Nm	74	10.5	9.5	12.5	9	55	63	40	M5x10	3	226.5	6
A 05 2	SC60A	M6	15 Nm	102	7	12.5	12.5	11	82	75	60	M5x10	4	233	6
A 05 2	SC60B	M6	15 Nm	102	7	12.5	12.5	14	82	75	60	M5x10	4	233	6
A 05 2	SC80A	M6	15 Nm	115	6	12.5	12.5	14	90	100	80	M6x12	4	233	6



A 10...SK / SC

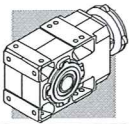


SK...

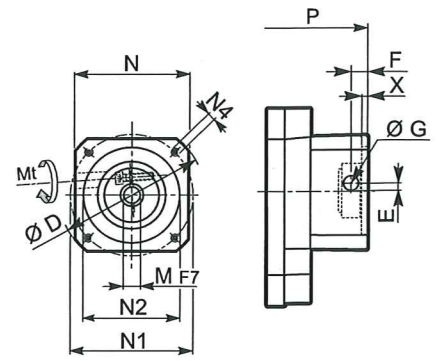
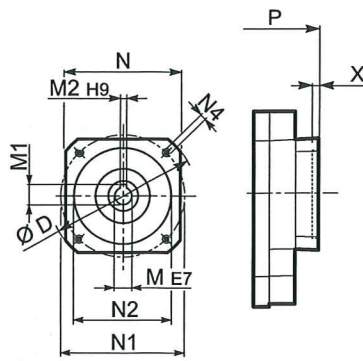
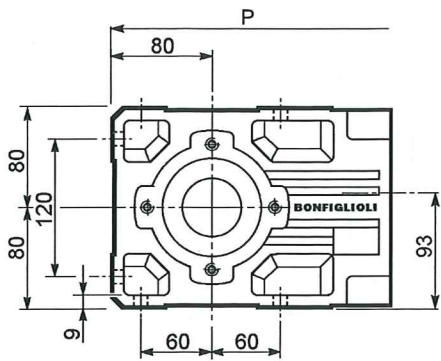
SC...

		D	M	M1	M2	N	N1	N2	N4	X	P	
A 10 2	SK60A	102	11	12.8	4	82	75	60	M5x10	3.5	254	8
A 10 2	SK60B	102	14	16.3	5	82	75	60	M5x10	4	261	8
A 10 2	SK80A	115	14	16.3	5	90	100	80	M6x12	4	261	8
A 10 2	SK80C	120	19	21.8	6	96	100	80	M6x12	4	302	9
A 10 2	SK95A	130	14	16.3	5	102	115	95	M8x12	4	302	9
A 10 2	SK95B	130	19	21.8	6	102	115	95	M8x12	4	302	9
A 10 2	SK95C	130	24	27.3	8	102	115	95	M8x12	4	302	9
A 10 2	SK110A	150	19	21.8	6	120	130	110	M8x12	5	302	9
A 10 2	SK110B	150	24	27.3	8	120	130	110	M8x12	5	302	9

			Mt	D	E	F	G	M	N	N1	N2	N4	X	P	
A 10 2	SC60A	M6	15 Nm	102	7	12.5	12.5	11	82	75	60	M5x10	4	281	9
A 10 2	SC60B	M6	15 Nm	102	7	12.5	12.5	14	82	75	60	M5x10	4	281	9
A 10 2	SC80A	M6	15 Nm	115	6	12.5	12.5	14	90	100	80	M6x12	4	281	9
A 10 2	SC80C	M6	15 Nm	120	15.5	14.5	17.75	19	96	100	80	M6x12	4	325.5	10
A 10 2	SC95A	M6	15 Nm	130	16.5	15	17.75	14	102	115	95	M8x16	4	325.5	10
A 10 2	SC95B	M6	15 Nm	130	16.5	15	17.75	19	102	115	95	M8x16	4	325.5	10
A 10 2	SC95C	M6	15 Nm	130	16.5	15	17.75	24	102	115	95	M8x16	4	325.5	10
A 10 2	SC110A	M6	15 Nm	150	16.5	16	17.75	19	120	130	110	M8x16	5	325.5	12
A 10 2	SC110B	M6	15 Nm	150	16.5	16	17.75	24	120	130	110	M8x16	5	325.5	12



A 20...SK / SC

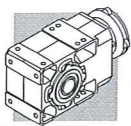


SK...

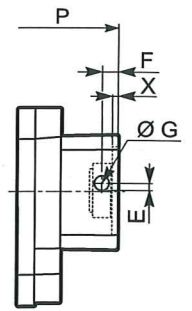
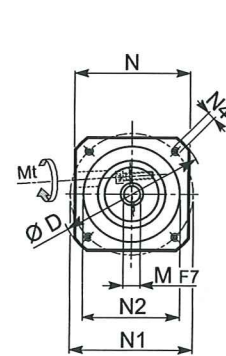
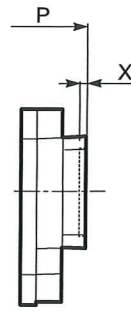
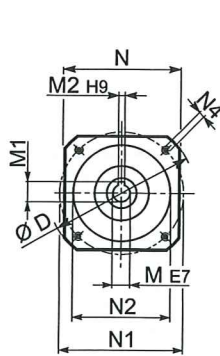
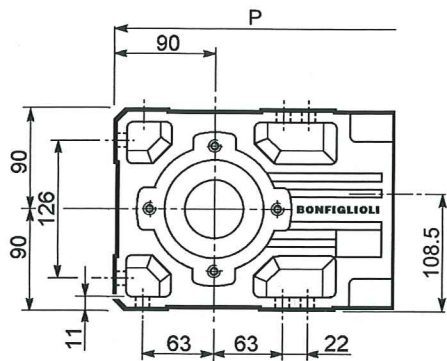
SC...

		D	M	M1	M2	N	N1	N2	N4	X	P		kg
											2x	3x	
		102	11	12.8	4	82	75	60	M5x10	3.5	277.5	333	11/12
		102	14	16.3	5	82	75	60	M5x10	4	284.5	340	12/13
		115	14	16.3	5	90	100	80	M6x12	4	284.5	340	12/13
		120	19	21.8	6	96	100	80	M6x12	4	325.5	381	13/14
		130	14	16.3	5	102	115	95	M8x12	4	325.5	381	13/14
		130	19	21.8	6	102	115	95	M8x12	4	325.5	381	13/14
		130	24	27.3	8	102	115	95	M8x12	4	325.5	381	13/14
		150	19	21.8	6	120	130	110	M8x12	5	325.5	381	13/14
		150	24	27.3	8	120	130	110	M8x12	5	325.5	381	13/14

		Mt		D	E	F	G	M	N	N1	N2	N4	X	P		kg
														2x	3x	
		M6	15 Nm	102	7	12.5	12.5	11	82	75	60	M5x10	4	304.5	360	12/13
		M6	15 Nm	102	7	12.5	12.5	14	82	75	60	M5x10	4	304.5	360	13/14
		M6	15 Nm	115	6	12.5	12.5	14	90	100	80	M6x12	4	304.5	360	13/14
		M6	15 Nm	120	15.5	14.5	17.75	19	96	100	80	M6x12	4	349	404.5	14/15
		M6	15 Nm	130	16.5	15	17.75	14	102	115	95	M8x16	4	349	404.5	14/15
		M6	15 Nm	130	16.5	15	17.75	19	102	115	95	M8x16	4	349	404.5	14/15
		M6	15 Nm	130	16.5	15	17.75	24	102	115	95	M8x16	4	349	404.5	14/15
		M6	15 Nm	150	16.5	16	17.75	19	120	130	110	M8x16	5	349	404.5	15/16
		M6	15 Nm	150	16.5	16	17.75	24	120	130	110	M8x16	5	349	404.5	15/16



A 30...SK / SC

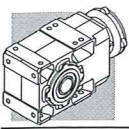


SK...

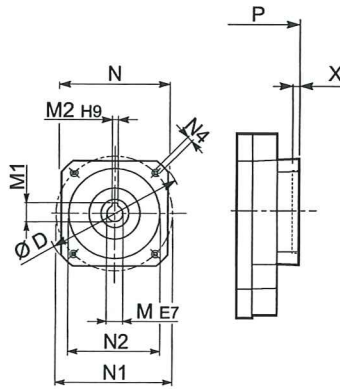
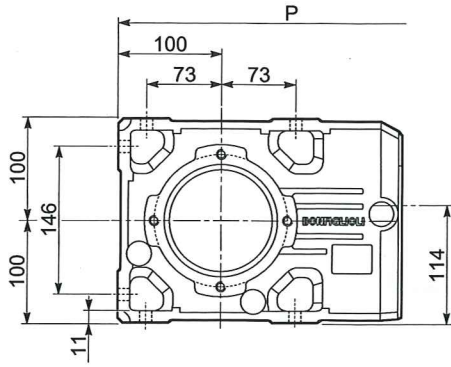
SC...

Icon	Icon	D	M	M1	M2	N	N1	N2	N4	X	P		Kg
											2x	3x	
A30 2/3	SK60A	102	11	12.8	4	82	75	60	M5x10	3.5	304.5	362	15/16
A30 2/3	SK60B	102	14	16.3	5	82	75	60	M5x10	4	311.5	369	16/17
A30 2/3	SK80A	115	14	16.3	5	90	100	80	M6x12	4	311.5	369	16/17
A30 2/3	SK80C	120	19	21.8	6	96	100	80	M6x12	4	352.5	410	17/18
A30 2/3	SK95A	130	14	16.3	5	102	115	95	M8x12	4	352.5	410	17/18
A30 2/3	SK95B	130	19	21.8	6	102	115	95	M8x12	4	352.5	410	17/18
A30 2/3	SK95C	130	24	27.3	8	102	115	95	M8x12	4	352.5	410	17/18
A30 2/3	SK110A	150	19	21.8	6	120	130	110	M8x12	5	352.5	410	17/18
A30 2/3	SK110B	150	24	27.3	8	120	130	110	M8x12	5	352.5	410	17/18
A30 2	SK130A	188	24	27.3	8	142	165	130	M10x20	5	352.5	—	18

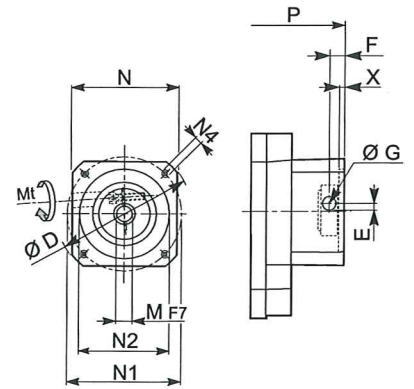
Icon	Icon	Icon	Mt	D	E	F	G	M	N	N1	N2	N4	X	P		Kg
														2x	3x	
A30 2/3	SC60A	M6	15 Nm	102	7	12.5	12.5	11	82	75	60	M5x10	4	331.5	389	16/17
A30 2/3	SC60B	M6	15 Nm	102	7	12.5	12.5	14	82	75	60	M5x10	4	331.5	389	17/18
A30 2/3	SC80A	M6	15 Nm	115	6	12.5	12.5	14	90	100	80	M6x12	4	331.5	389	17/18
A30 2/3	SC80C	M6	15 Nm	120	15.5	14.5	17.75	19	96	100	80	M6x12	4	376	433.5	18/19
A30 2/3	SC95A	M6	15 Nm	130	16.5	15	17.75	14	102	115	95	M8x16	4	376	433.5	18/19
A30 2/3	SC95B	M6	15 Nm	130	16.5	15	17.75	19	102	115	95	M8x16	4	376	433.5	18/19
A30 2/3	SC95C	M6	15 Nm	130	16.5	15	17.75	24	102	115	95	M8x16	4	376	433.5	18/19
A30 2/3	SC 110A	M6	15 Nm	150	16.5	16	17.75	19	120	130	110	M8x16	5	376	433.5	19/20
A30 2/3	SC 110B	M6	15 Nm	150	16.5	16	17.75	24	120	130	110	M8x16	5	376	433.5	19/20
A30 2	SC 130A	M6	15 Nm	188	19	16	17.75	24	142	165	130	M10x20	5	376	—	20



A 35...SK / SC



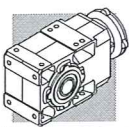
SK...



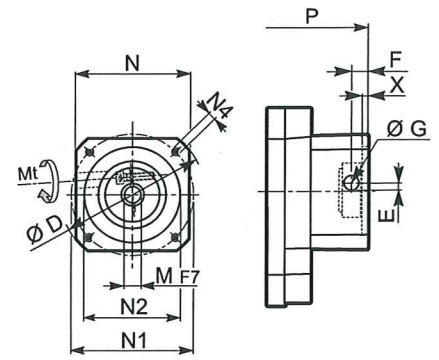
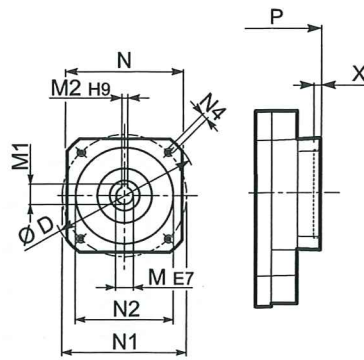
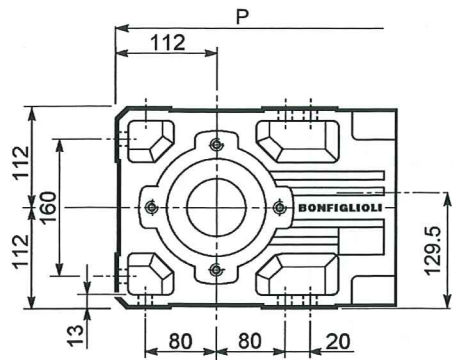
SC...

Icon	Part No.	D	M	M1	M2	N	N1	N2	N4	X	P		Kg
											2x	3x	
	SK60A	102	11	12.8	4	82	75	60	M5x10	3.5	331	388.5	27/28
	SK60B	102	14	16.3	5	82	75	60	M5x10	4	338	395.5	28/29
	SK80A	115	14	16.3	5	90	100	80	M6x12	4	338	395.5	28/29
	SK80C	120	19	21.8	6	96	100	80	M6x12	4	379	436.5	29/30
	SK95A	130	14	16.3	5	102	115	95	M8x12	4	379	436.5	29/30
	SK95B	130	19	21.8	6	102	115	95	M8x12	4	379	436.5	29/30
	SK95C	130	24	27.3	8	102	115	95	M8x12	4	379	436.5	29/30
	SK110A	150	19	21.8	6	120	130	110	M8x12	5	379	436.5	29/30
	SK110B	150	24	27.3	8	120	130	110	M8x12	5	379	436.5	29/30
	SK130A	188	24	27.3	8	142	165	130	M10x20	5	379	—	30

Icon	Part No.	Mt		D	E	F	G	M	N	N1	N2	N4	X	P		Kg
		Mt												2x	3x	
	SC60A	M6	15 Nm	102	7	12.5	12.5	11	82	75	60	M5x10	4	358	415.5	28/29
	SC60B	M6	15 Nm	102	7	12.5	12.5	14	82	75	60	M5x10	4	358	415.5	29/30
	SC80A	M6	15 Nm	115	6	12.5	12.5	14	90	100	80	M6x12	4	358	415.5	29/30
	SC80C	M6	15 Nm	120	15.5	14.5	17.75	19	96	100	80	M6x12	4	402.5	460	30/31
	SC95A	M6	15 Nm	130	16.5	15	17.75	14	102	115	95	M8x16	4	402.5	460	30/31
	SC95B	M6	15 Nm	130	16.5	15	17.75	19	102	115	95	M8x16	4	402.5	460	30/31
	SC95C	M6	15 Nm	130	16.5	15	17.75	24	102	115	95	M8x16	4	402.5	460	30/31
	SC110A	M6	15 Nm	150	16.5	16	17.75	19	120	130	110	M8x16	5	402.5	460	32/33
	SC110B	M6	15 Nm	150	16.5	16	17.75	24	120	130	110	M8x16	5	402.5	460	32/33
	SC130A	M6	15 Nm	188	19	16	17.75	24	142	165	130	M10x20	5	402.5	—	33



A 41...SK / SC

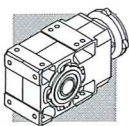


SK...

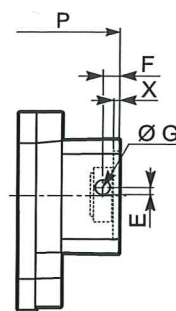
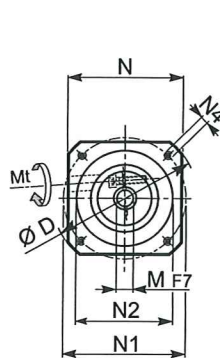
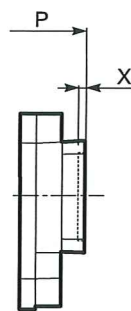
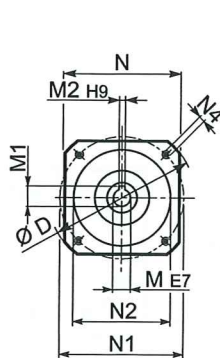
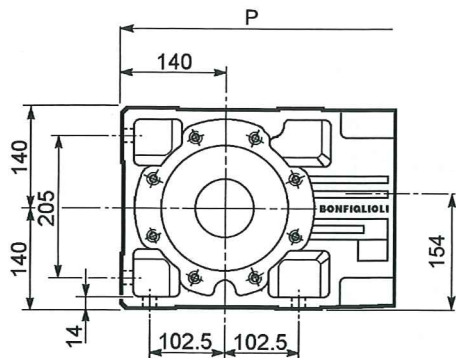
SC...

Image	Image	D	M	M1	M2	N	N1	N2	N4	X	P		Kg
											2x	3x	
A41 3	SK60A	102	11	12.8	4	82	75	60	M5x10	3.5	—	408	40
A41 3	SK60B	102	14	16.3	5	82	75	60	M5x10	4	—	415	40
A41 3	SK80A	115	14	16.3	5	90	100	80	M6x12	4	—	415	40
A41 2	SK80B	120	14	16.3	5	96	100	80	M6x12	4	394.5	—	39
A41 2/3	SK80C	120	19	21.8	6	96	100	80	M6x12	4	394.5	456	39/40
A41 2/3	SK95A	130	14	16.3	5	102	115	95	M8x12	4	394.5	456	39/40
A41 2/3	SK95B	130	19	21.8	6	102	115	95	M8x12	4	394.5	456	39/41
A41 2/3	SK95C	130	24	27.3	8	102	115	95	M8x12	4	394.5	456	39/44
A41 2/3	SK110A	150	19	21.8	6	120	130	110	M8x12	5	394.5	456	39/44
A41 2/3	SK110B	150	24	27.3	8	120	130	110	M8x12	5	394.5	456	39/44
A41 2	SK130A	188	24	27.3	8	142	165	130	M10x20	5	394.5	—	41
A41 2	SK130B	189	32	35.3	10	160	165	130	M10x20	5	441	—	43
A41 2	SK180A	240	32	35.3	10	192	215	180	M12x19	5	441	—	43
A41 2	SK180B	240	38	41.3	10	192	215	180	M12x19	5	441	—	43

Image	Image	Image	Mt	D	E	F	G	M	N	N1	N2	N4	X	P		Kg
														2x	3x	
A41 3	SC60A	M6	15 Nm	102	7	12.5	12.5	11	82	75	60	M5x10	4	—	435	41
A41 3	SC60B	M6	15 Nm	102	7	12.5	12.5	14	82	75	60	M5x10	4	—	435	41
A41 3	SC80A	M6	15 Nm	115	6	12.5	12.5	14	90	100	80	M6x12	4	—	435	41
A41 2	SC80B	M6	15 Nm	120	15.5	14.5	17.75	14	96	100	80	M6x12	4	418	—	40
A41 2/3	SC80C	M6	15 Nm	120	15.5	14.5	17.75	19	96	100	80	M6x12	4	418	479.5	40/41
A41 2/3	SC95A	M6	15 Nm	130	16.5	15	17.75	14	102	115	95	M8x16	4	418	479.5	40/42
A41 2/3	SC95B	M6	15 Nm	130	16.5	15	17.75	19	102	115	95	M8x16	4	418	479.5	40/42
A41 2/3	SC95C	M6	15 Nm	130	16.5	15	17.75	24	102	115	95	M8x16	4	418	479.5	40/43
A41 2/3	SC110A	M6	15 Nm	150	16.5	16	17.75	19	120	130	110	M8x16	5	418	479.5	41/47
A41 2/3	SC110B	M6	15 Nm	150	16.5	16	17.75	24	120	130	110	M8x16	5	418	479.5	41/47
A41 2	SC130A	M6	15 Nm	188	19	16	17.75	24	142	165	130	M10x20	5	418	—	42
A41 2	SC130B	M8	36 Nm	189	20	17	17.75	32	160	165	130	M10x20	5	464	—	46
A41 2	SC180A	M8	36 Nm	240	20	17.5	17.75	32	192	215	180	M12x24	5	468	—	46
A41 2	SC180B	M8	36 Nm	240	20	17.5	17.75	38	192	215	180	M12x24	5	468	—	46



A 50...SK / SC

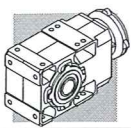


SK...

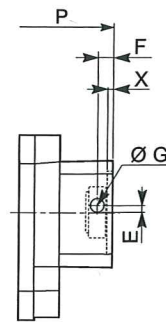
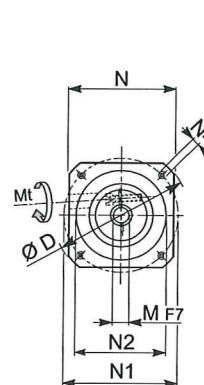
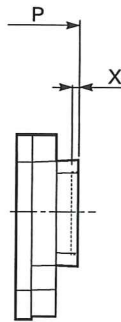
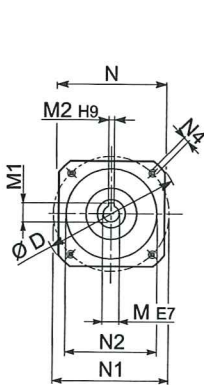
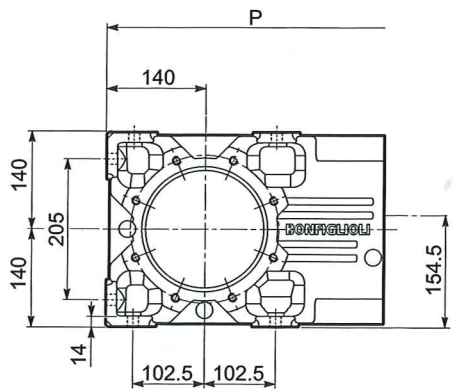
SC...

		D	M	M1	M2	N	N1	N2	N4	X	P		kg
											2/3x	4x	
A50 4	SK60A	102	11	12.8	4	82	75	60	M5x10	3.5	—	497.5	62
A50 4	SK60B	102	14	16.3	5	82	75	60	M5x10	4	—	504.5	62
A50 4	SK80A	115	14	16.3	5	90	100	80	M6x12	4	—	504.5	62
A50 2/3	SK80B	120	14	16.3	5	96	100	80	M6x12	4	474	—	61/61
A50 2/3/4	SK80C	120	19	21.8	6	96	100	80	M6x12	4	474	545.5	61/61/63
A50 2/3/4	SK95A	130	14	16.3	5	102	115	95	M8x12	4	474	545.5	61/61/63
A50 2/3/4	SK95B	130	19	21.8	6	102	115	95	M8x12	4	474	545.5	61/61/63
A50 2/3/4	SK95C	130	24	27.3	8	102	115	95	M8x12	4	474	545.5	61/61/63
A50 2/3/4	SK110A	150	19	21.8	6	120	130	110	M8x12	5	474	545.5	61/61/65
A50 2/3/4	SK110B	150	24	27.3	8	120	130	110	M8x12	5	474	575	61/61/65
A50 2/3/4	SK130A	188	24	27.3	8	142	165	130	M10x20	5	474	575	63/63/66
A50 2/3	SK130B	189	32	35.3	10	160	165	130	M10x20	5	520.5	—	69/69
A50 2/3	SK180A	240	32	35.3	10	192	215	180	M12x19	5	520.5	—	69/69
A50 2/3	SK180B	240	38	41.3	10	192	215	180	M12x19	5	520.5	—	69/69

		Mt	D	E	F	G	M	N	N1	N2	N4	X	P		kg
													2/3x	4x	
A50 4	SC60A	M6 15 Nm	102	7	12.5	12.5	11	82	75	60	M5x10	4	—	524.5	63
A50 4	SC60B	M6 15 Nm	102	7	12.5	12.5	14	82	75	60	M5x10	4	—	524.5	63
A50 4	SC80A	M6 15 Nm	115	6	12.5	12.5	14	90	100	80	M6x12	4	—	524.5	63
A50 2/3	SC80B	M6 15 Nm	120	15.5	14.5	17.75	14	96	100	80	M6x12	4	497.5	—	62/62
A50 2/3/4	SC80C	M6 15 Nm	120	15.5	14.5	17.75	19	96	100	80	M6x12	4	497.5	569	62/62/64
A50 2/3/4	SC95A	M6 15 Nm	130	16.5	15	17.75	14	102	115	95	M8x16	4	497.5	569	62/62/64
A50 2/3/4	SC95B	M6 15 Nm	130	16.5	15	17.75	19	102	115	95	M8x16	4	497.5	569	62/62/64
A50 2/3/4	SC95C	M6 15 Nm	130	16.5	15	17.75	24	102	115	95	M8x16	4	497.5	569	62/62/64
A50 2/3/4	SC110A	M6 15 Nm	150	16.5	16	17.75	19	120	130	110	M8x16	5	497.5	569	63/63/66
A50 2/3/4	SC110B	M6 15 Nm	150	16.5	16	17.75	24	120	130	110	M8x16	5	497.5	569	63/63/66
A50 2/3/4	SC130A	M6 15 Nm	188	19	16	17.75	24	142	165	130	M10x20	5	497.5	569	64/64/67
A50 2/3	SC130B	M8 36 Nm	189	20	17	17.75	32	160	165	130	M10x20	5	543.5	—	68/68
A50 2/3	SC180A	M8 36 Nm	240	20	17.5	17.75	32	192	215	180	M12x24	5	547.5	—	68/68
A50 2/3	SC180B	M8 36 Nm	240	20	17.5	17.75	38	192	215	180	M12x24	5	547.5	—	68/68



A 55...SK / SC

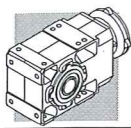


SK...

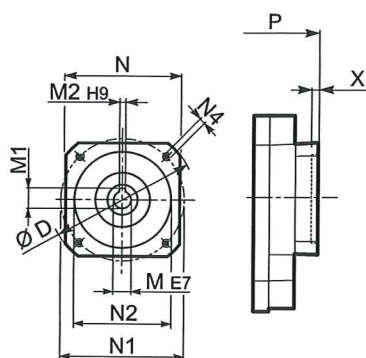
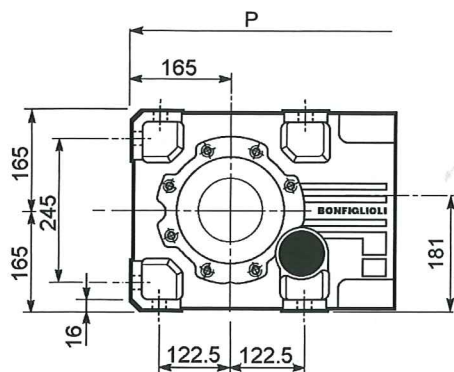
SC...

Image	Part	D	M	M1	M2	N	N1	N2	N4	X	P		Kg
											2/3x	4x	
	A55 4 SK60A	102	11	12.8	4	82	75	60	M5x10	3.5	—	515.5	76
	A55 4 SK60B	102	14	16.3	5	82	75	60	M5x10	4	—	522.5	76
	A55 4 SK80A	115	14	16.3	5	90	100	80	M6x12	4	—	522.5	76
	A55 3 SK80B	120	14	16.3	5	96	100	80	M6x12	4	492	—	81
	A55 2/3/4 SK80C	120	19	21.8	6	96	100	80	M6x12	4	492	563.5	81/81/77
	A55 3/4 SK95A	130	14	16.3	5	102	115	95	M8x12	4	492	563.5	81/81/77
	A55 2/3/4 SK95B	130	19	21.8	6	102	115	95	M8x12	4	492	563.5	81/81/77
	A55 2/3/4 SK95C	130	24	27.3	8	102	115	95	M8x12	4	492	563.5	81/81/77
	A55 2/3/4 SK110A	150	19	21.8	6	120	130	110	M8x12	5	492	593	81/81/78
	A55 2/3/4 SK110B	150	24	27.3	8	120	130	110	M8x12	5	492	593	81/81/78
	A55 2/3/4 SK130A	188	24	27.3	8	142	165	130	M10x20	5	492	593	83/83/79
	A55 2/3 SK130B	189	32	35.3	10	160	165	130	M10x20	5	538.5	—	90/90
	A55 2/3 SK180A	240	32	35.3	10	192	215	180	M12x19	5	538.5	—	90/90
	A55 2/3 SK180B	240	38	41.3	10	192	215	180	M12x19	5	538.5	—	90/90

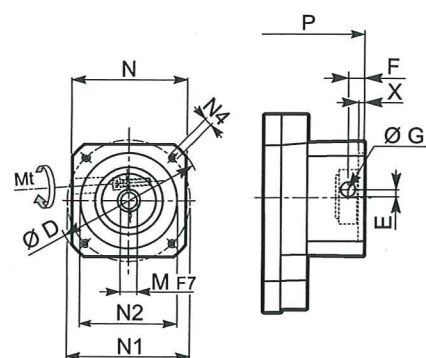
Image	Part	Mt	D	E	F	G	M	N	N1	N2	N4	X	P		Kg
													2/3x	4x	
	A55 4 SC60A	M6 15 Nm	102	7	12.5	12.5	11	82	75	60	M5x10	4	—	542.5	77
	A55 4 SC60B	M6 15 Nm	102	7	12.5	12.5	14	82	75	60	M5x10	4	—	542.5	77
	A55 4 SC80A	M6 15 Nm	115	6	12.5	12.5	14	90	100	80	M6x12	4	—	542.5	77
	A55 3 SC80B	M6 15 Nm	120	15.5	14.5	17.75	14	96	100	80	M6x12	4	515.5	—	82
	A55 2/3/4 SC80C	M6 15 Nm	120	15.5	14.5	17.75	19	96	100	80	M6x12	4	515.5	587	82/82/78
	A55 3/4 SC95A	M6 15 Nm	130	16.5	15	17.75	14	102	115	95	M8x16	4	515.5	587	82/82/78
	A55 2/3/4 SC95B	M6 15 Nm	130	16.5	15	17.75	19	102	115	95	M8x16	4	515.5	587	82/82/78
	A55 2/3/4 SC95C	M6 15 Nm	130	16.5	15	17.75	24	102	115	95	M8x16	4	515.5	587	82/82/78
	A55 2/3/4 SC110A	M6 15 Nm	150	16.5	16	17.75	19	120	130	110	M8x16	5	515.5	587	83/83/79
	A55 2/3/4 SC110B	M6 15 Nm	150	16.5	16	17.75	24	120	130	110	M8x16	5	515.5	587	83/83/79
	A55 2/3/4 SC130A	M6 15 Nm	188	19	16	17.75	24	142	165	130	M10x20	5	515.5	587	84/84/80
	A55 2/3 SC130B	M8 36 Nm	189	20	17	17.75	32	160	165	130	M10x20	5	561.5	—	93/93
	A55 2/3 SC180A	M8 36 Nm	240	20	17.5	17.75	32	192	215	180	M12x24	5	565.5	—	93/93
	A55 2/3 SC180B	M8 36 Nm	240	20	17.5	17.75	38	192	215	180	M12x24	5	565.5	—	93/93



A 60...SK / SC



SK...



SC...

Motor Type	Series	D	M	M1	M2	N	N1	N2	N4	X	P		Kg
											2/3x	4x	
A60 4	SK80B	120	14	16.3	5	96	100	80	M6x12	4	—	606.5	89
A60 2/3/4	SK80C	120	19	21.8	6	96	100	80	M6x12	4	536	606.5	93/93/92
A60 2/3/4	SK95A	130	14	16.3	5	102	115	95	M8x12	4	536	606.5	93/93/92
A60 2/3/4	SK95B	130	19	21.8	6	102	115	95	M8x12	4	536	606.5	93/93/92
A60 2/3/4	SK95C	130	24	27.3	8	102	115	95	M8x12	4	536	606.5	93/93/92
A60 2/3/4	SK110A	140	19	21.8	6	120	130	110	M8x12	5	536	606.5	93/93/92
A60 2/3/4	SK110B	140	24	27.3	8	120	130	110	M8x12	5	536	606.5	93/93/92
A60 2/3/4	SK130A	188	24	27.3	8	142	165	130	M10x20	5	536	606.5	97/97/103
A60 2/3	SK130B	189	32	35.3	10	160	165	130	M10x20	5	582.5	—	102/102
A60 2/3	SK180A	240	32	35.3	10	192	215	180	M12x19	5	582.5	—	102/102
A60 2/3	SK180B	240	38	41.3	10	192	215	180	M12x19	5	582.5	—	102/102

Motor Type	Series	Mt	D	E	F	G	M	N	N1	N2	N4	X	P		Kg
													2/3x	4x	
A60 4	SC80B	M6 15 Nm	120	15.5	14.5	17.75	14	96	100	80	M6x12	4	—	630	90
A60 2/3/4	SC80C	M6 15 Nm	120	15.5	14.5	17.75	19	96	100	80	M6x12	4	559.5	630	94/94/93
A60 2/3/4	SC95A	M6 15 Nm	130	16.5	15	17.75	14	102	115	95	M8x16	4	559.5	630	94/94/93
A60 2/3/4	SC95B	M6 15 Nm	130	16.5	15	17.75	19	102	115	95	M8x16	4	559.5	630	94/94/93
A60 2/3/4	SC95C	M6 15 Nm	130	16.5	15	17.75	24	102	115	95	M8x16	4	559.5	630	94/94/93
A60 2/3/4	SC110A	M6 15 Nm	140	16.5	16	17.75	19	120	130	110	M8x16	5	559.5	630	95/95/93
A60 2/3/4	SC110B	M6 15 Nm	140	16.5	16	17.75	24	120	130	110	M8x16	5	559.5	630	95/95/93
A60 2/3/4	SC130A	M6 15 Nm	188	19	16	17.75	24	142	165	130	M10x20	5	559.5	630	96/96/104
A60 2/3	SC130B	M8 36 Nm	189	20	17	17.75	32	160	165	130	M10x20	5	605.5	—	105/105
A60 2/3	SC180A	M8 36 Nm	240	20	17.5	17.75	32	192	215	180	M12x24	5	609.5	—	105/105
A60 2/3	SC180B	M8 36 Nm	240	20	17.5	17.75	38	192	215	180	M12x24	5	609.5	—	105/105